

Z.A ENGINEERING



We deal in all kind of pharmaceuticals, Cosmetics, and Food items machinery

Contact info: 0300-0770753, 0331-2300654 Email: zaenterprise03000@gmail.com

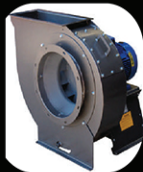
Pharma mixer machine



It is the interming of two or more dissimilar portions of materials resulting in attainment of a desired level of uniformity either physically or chemically.

Perfect mixing:

It is that state in which any sample removed from the mixture will have exactly the same composition as any sample taken from any point to the mixture.



Contact info: 0300-0770753, 0331-2300654 Email: zaenterprise03000@gmail.com

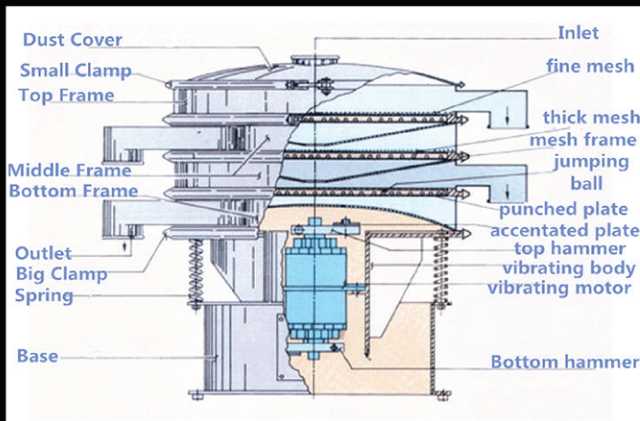
Oscillating Granulator

The Oscillating Granulator is a popular granulating machine used for size reduction or forming the required granule sizes from moist powder material or for crushing dried block stock, sensitive powders, and granules in the pharmaceutical, chemical and food industries

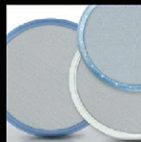


Wet Granulator

Wet granulation involves the massing of a mix of dry primary powder particles using a granulating fluid. The fluid contains a solvent which can be removed by drying, and should be non-toxic. Typical solvents include water, ethanol and isopropanol and methylene chloride either alone or in combination.



The Vibro Sifter machine works on the principle of gyratory vibrations. The material is separated based on its particle size. Once the motor gets energized, vibration is caused in the screen/sieve making the material travel across the sieves according to its particle size.



Cooking Kettle



High Quality 316L/304 Stainless steel jacket kettle with agitator Electrical Tilting Jacketed Kettle with Scraper Stirrer

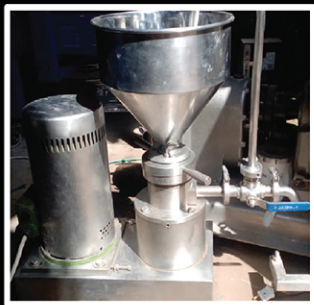
jacketed kettle is composed of kettle, bracket, turbine wheel and turbine etc. The kettle can revolve in 180°, The equipment is used for open concentration, mainly for decocting and concentration of liquids for industries of pharmaceutical industry, food industry. Widely used in candy, cakes, drinks, fruit juices, jams, preserves, dairy products and other canned food processing and brewing, wine, pharmaceuticals, household chemicals and other industries. Contact area of the equipment with materials is made of stainless steel SUS304, S316L, which has perfect corrosion-proof performance, and is highly durable according to GMP requirements. Blender also can be matched according to customer requirements.



loop pump

A hybrid closed loop insulin pump attempts to mimic the body's natural communication loop by linking with a secondary device called a continuous glucose monitor, or CGM, sensor and automatically adjusting some of the insulin delivered based on continually monitored blood sugar levels.

collider mill



A colloid mill is a machine that is used to reduce the particle size of a solid in suspension in a liquid, or to reduce the droplet size in emulsions. Colloid mills work on the rotor-stator principle: a rotor turns at high speeds (2000 - 18000 RPM).

CONVEYOUR





Contact info: 0300-0770753, 0331-2300654 Email: zaenterprise03000@gmail.com



Contact info: 0300-0770753, 0331-2300654 Email: zaenterprise03000@gmail.com

Powder Filling



A powder filler is a standalone equipment for dispensing powder into premade carriers such as cans, bottles, pouches, etc. There are four main filling machine principles – gravity filling, overflow filling, piston filling and pump filling. While these filling machines can all handle a range of products, especially with customization, the best system for your business depends on the characteristics of the liquid you are packaging.



Tablet Coating

A tablet coating machine is an equipment that coats the external surface of a tablet using a thin film of coating material.

Which instrument is used for tablet coating?

A baffled pan and diffuser (Pellegrini pan system) – which allows the distribution of drying air uniformly through the tablet bed or pellets. an immersion tube system – the tube is immersed in the tablet bed where it delivers heated air through the spray nozzle built in the tip of the tube



A gearmotor is a homogeneous and compact unit consisting of a gear unit and a motor. In electrical drive technology as produced by SEW EURODRIVE, it is also always an electric motor. The idea of a "motor-gear unit aggregate" can be traced back to a patent from the Bruchsal-based design engineer and entrepreneur Albert Obermoser in 1928: He invented the "Vorlegemotor" (geared motor)

Contact info: 0300-0770753, 0331-2300654 Email: zaenterprise03000@gmail.com



An electric motor is a device used to convert electricity into mechanical energy—opposite to an electric generator.

They operate using principles of electromagnetism, which shows that a force is applied when an electric current is present in a magnetic field.